

MBT-SP52: Installation guide

</en/advertising-systems/mbt-sp52/>

MBT-SP52 Front view



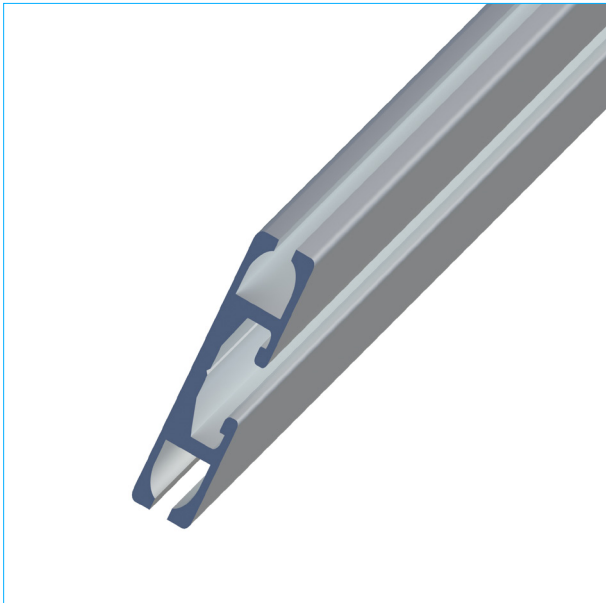
Safety note

We recommend to contract qualified personnel for the system installation. Please, take all precautions to protect persons, material and tools from accidents and damage.

MBT-SP52: Installation guide

</en/advertising-systems/mbt-sp52/>

Components



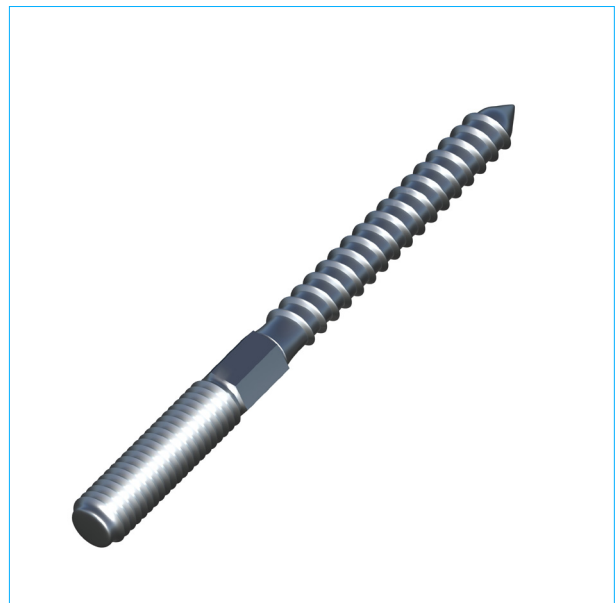
Profile rails



Wall cylinder



Dowel

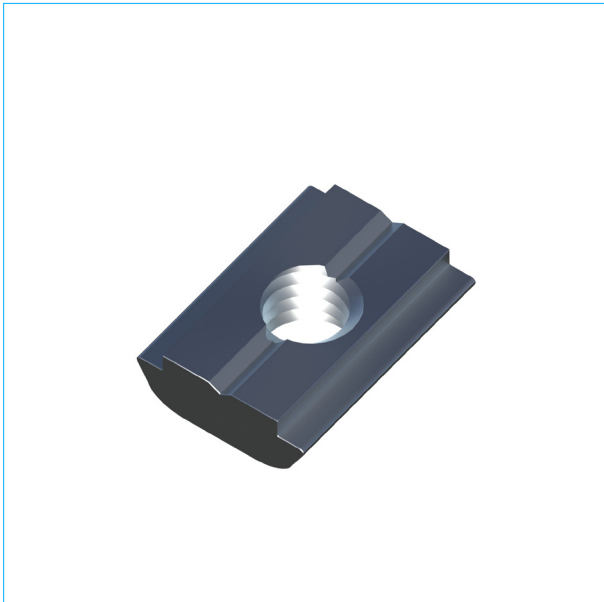


Hanger bolts

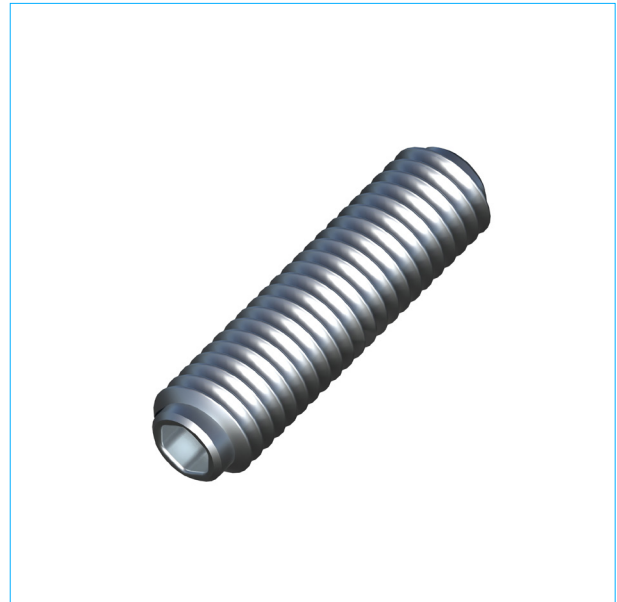
MBT-SP52: Installation guide

</en/advertising-systems/mbt-sp52/>

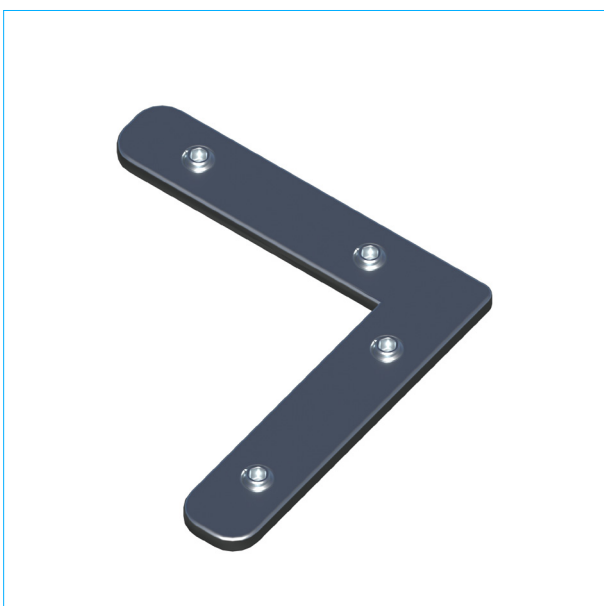
Components



T-slot nuts



Set screws



Mounting bracket

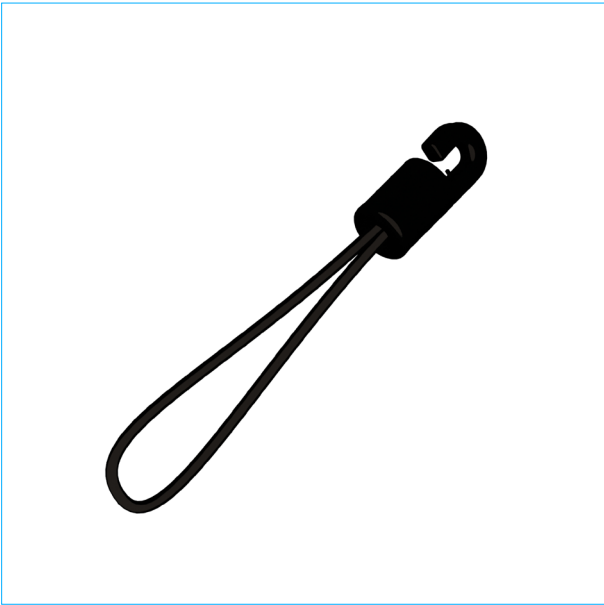


Plastic gliders

MBT-SP52: Installation guide

</en/advertising-systems/mbt-sp52/>

Components



Elastic bands with hook

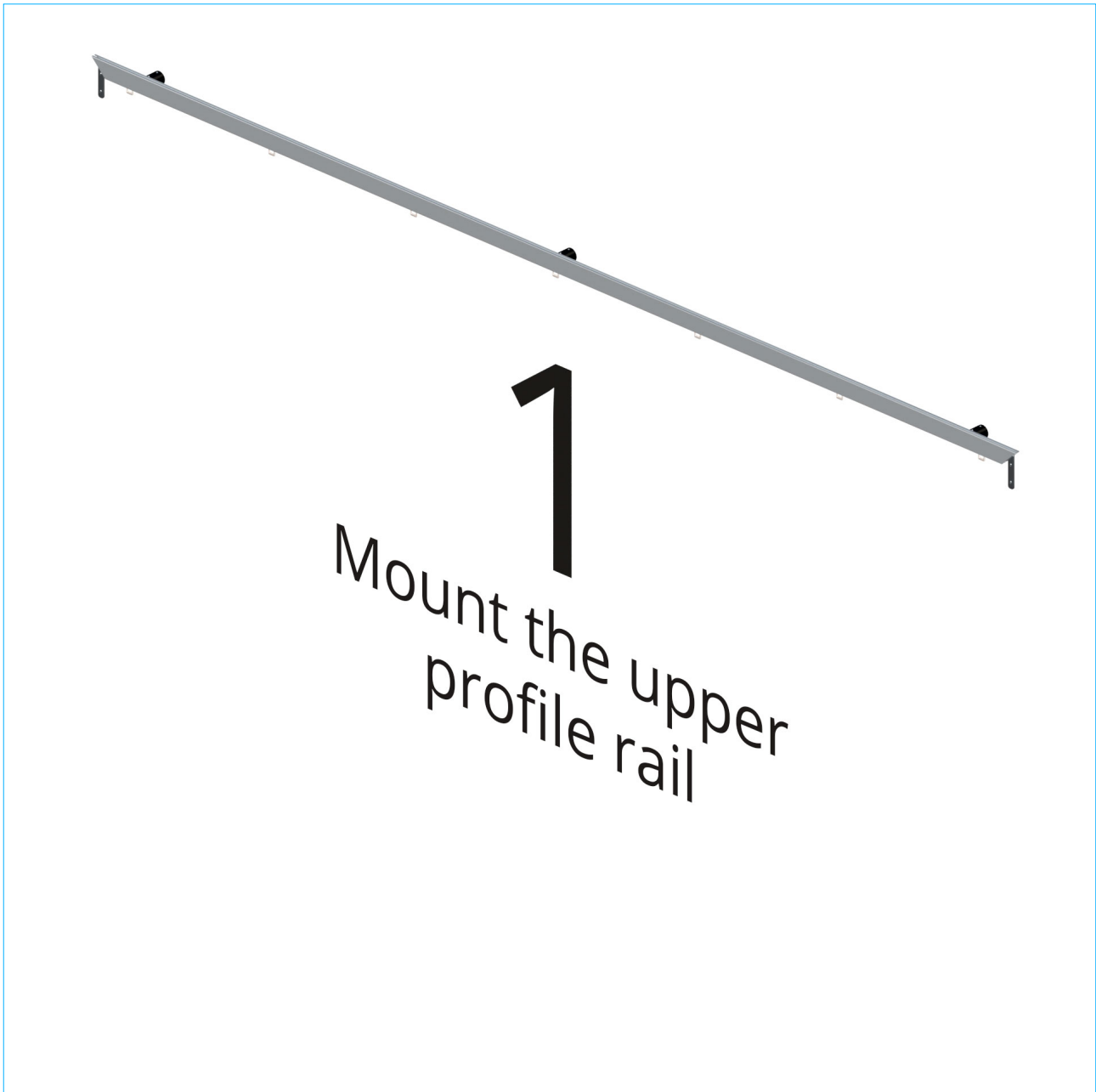
Important notes

*We add a full component list including the quantities for each item with your delivery.
At least two people are needed to assemble and mount the system.*

*Please follow this installation guide exactly and step by step.
Precise work is essential for the quality of the result.*

MBT-SP52: Installation guide

</en/advertising-systems/mbt-sp52/>



Mount the upper profile rail

1a. Mark the horizontal drill holes for fixing the wall cylinders. The distance between the hanger bolts must be smaller than 150 cm (*fig. 1.1*). Place the outer ones with a distance of 15 cm from the

outer edges of the system to the inside. (*fig. 1.2*).

1b. Drill the holes, put dowels and screw in the hanger bolts (*fig. 1.3*).

MBT-SP52: Installation guide

</en/advertising-systems/mbt-sp52/>

These must protrude 2.5 cm from the wall. (*fig. 1.4*)

1c. Slide the wall cylinders onto the hanger bolts until they reach the wall surface and tighten the wall-side screw of each cylinder. (*fig. 1.5 & 1.6*)

Illustration

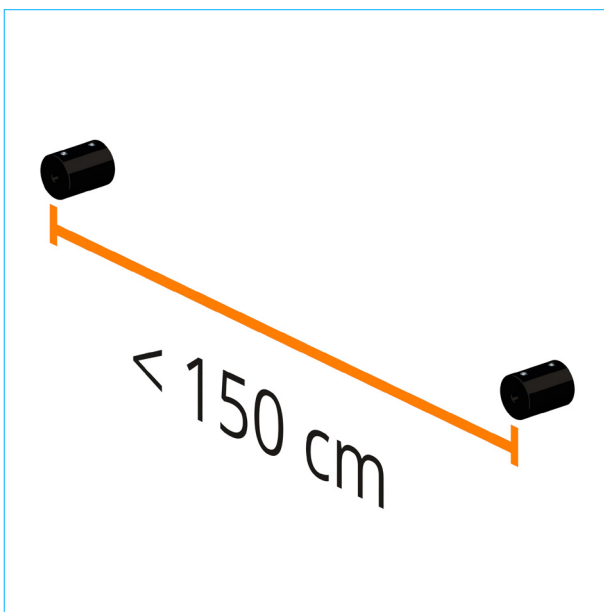


figure 1.1

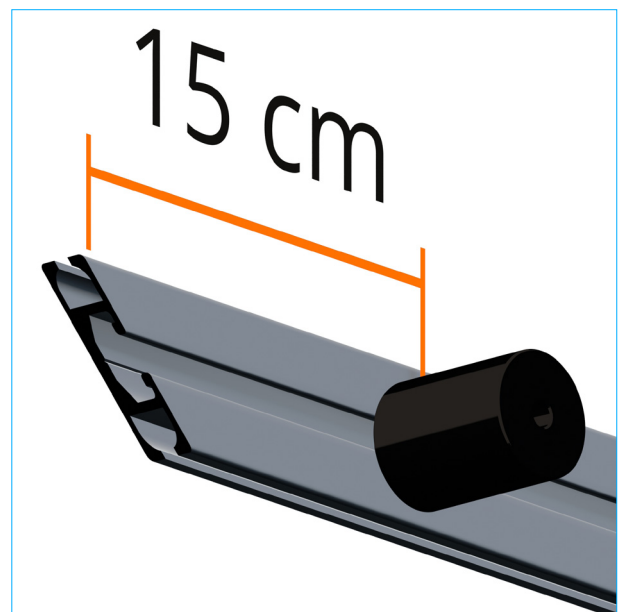


figure 1.2

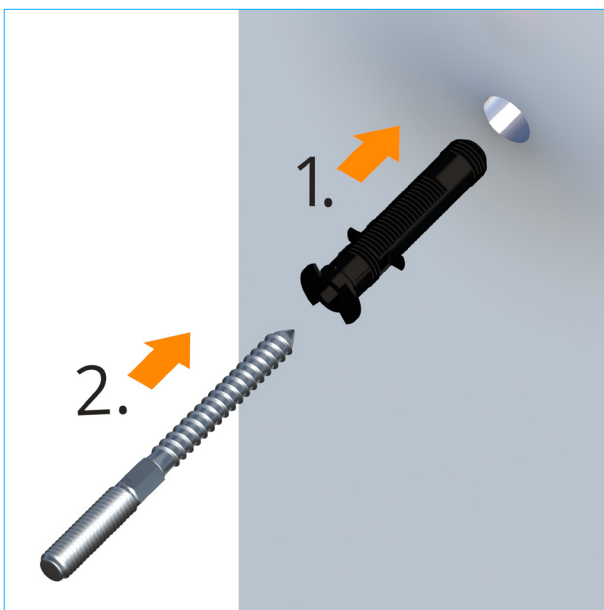


figure 1.3

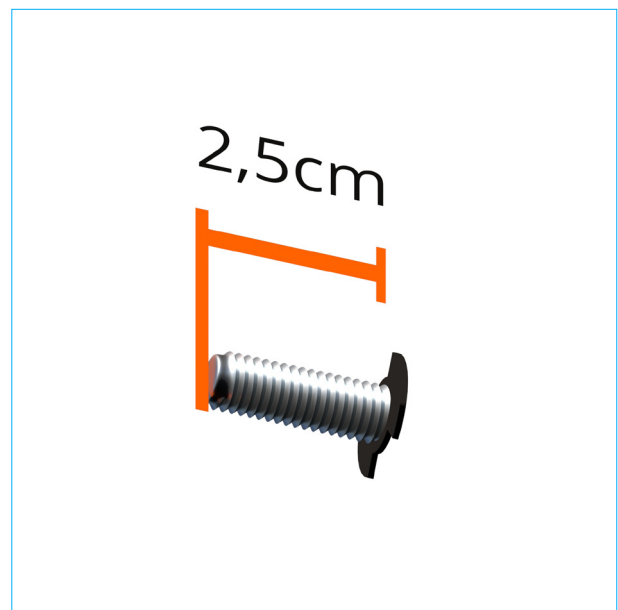


figure 1.4

MBT-SP52: Installation guide

</en/advertising-systems/mbt-sp52/>

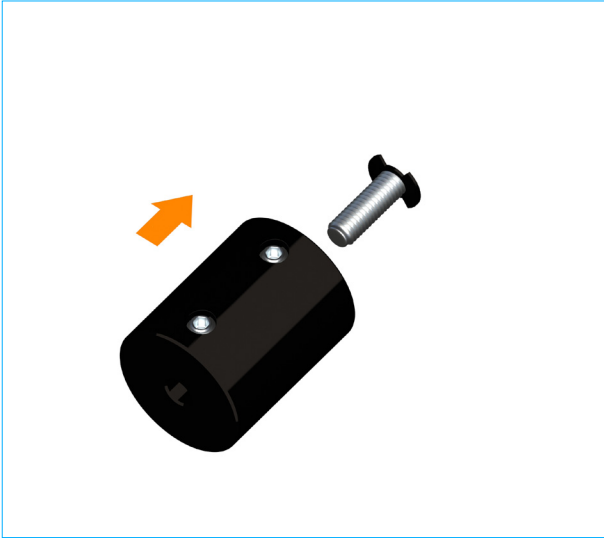


figure 1.5



figure 1.6

Prepare and mount the upper rail

1d. Screw the set screws into the t-slot nuts. The back of the set screw and the t-slot nut should form a flat surface. (fig. 1.7)

1e. Slide as many t-slot nuts laterally into the middle profile slot on the back of the aluminum profile as wall cylinders have been fastened. Distribute them so that the positions of the set screws in the profile match the fixing holes of the attached wall cylinders. (fig. 1.8)

Fix the set screws in the sliding blocks hand-tight in the direction of the profile interior so that you can still move them without force. (fig. 1.9)

1f. Mount one of the mounting brackets in the profile. Push it into the profile opening as far as it will go and lock it in place by tightening both set screws. (fig. 1.10)

1g. Insert as many plastic gliders in the profile as the upper side of the banner has grommets. (fig. 1.11 and 1.12)

1h. Insert the second mounting bracket as described under **1f**.

1i. Place the profile in the wall cylinders and tighten the screws facing towards the profile. (fig. 1.13 and 1.14)

MBT-SP52: Installation guide

</en/advertising-systems/mbt-sp52/>

Illustration

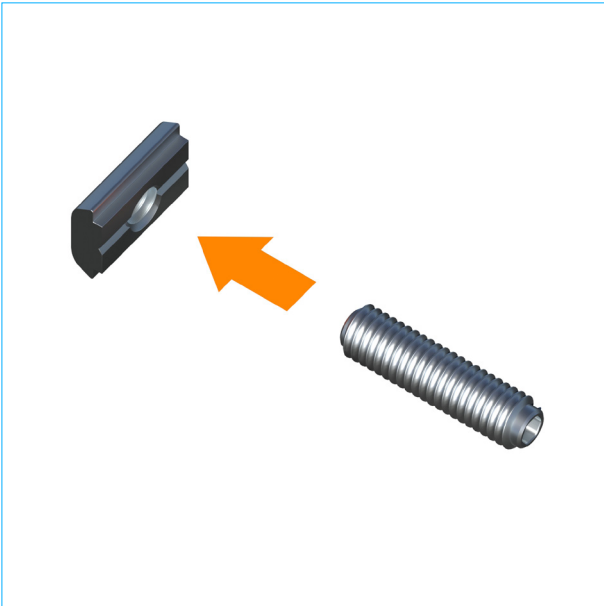


figure 1.7

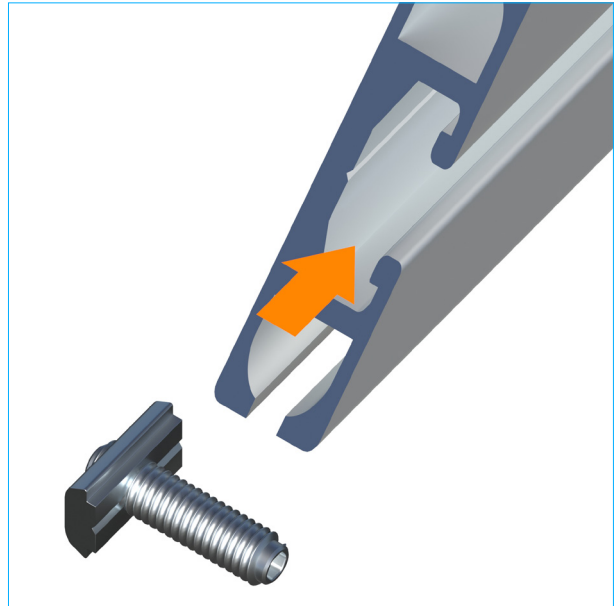


figure 1.8

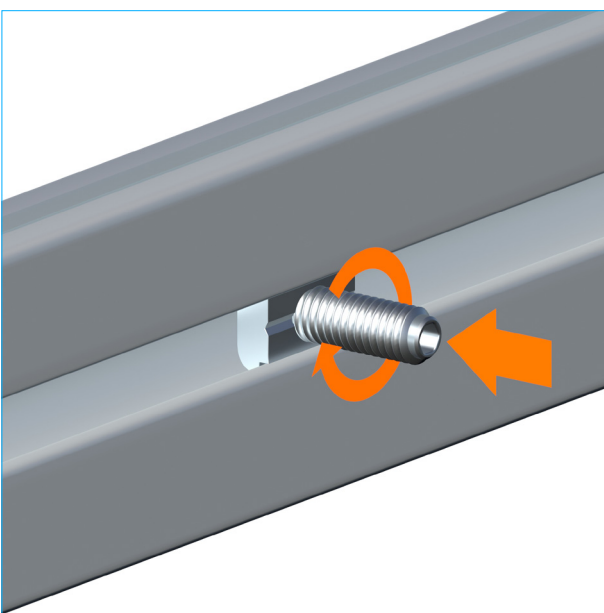


figure 1.9



figure 1.10

MBT-SP52: Installation guide

</en/advertising-systems/mbt-sp52/>

Illustration

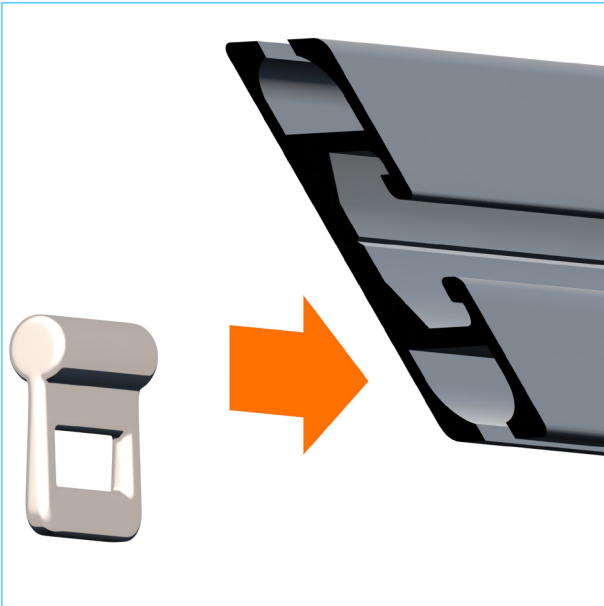


figure 1.11

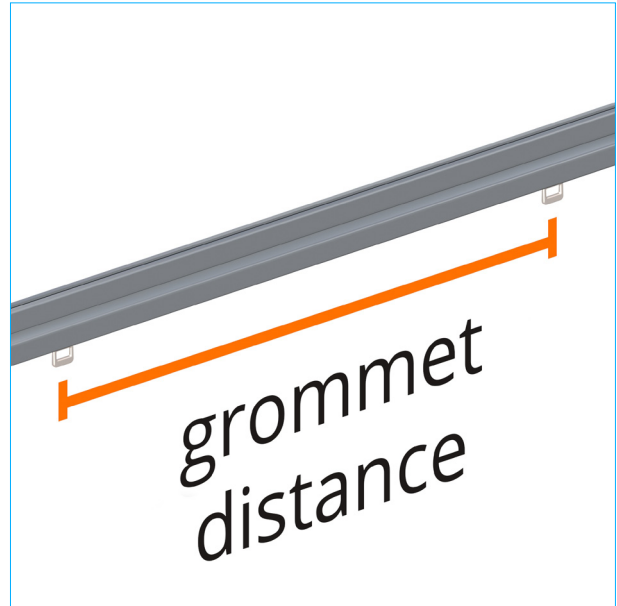


figure 1.12

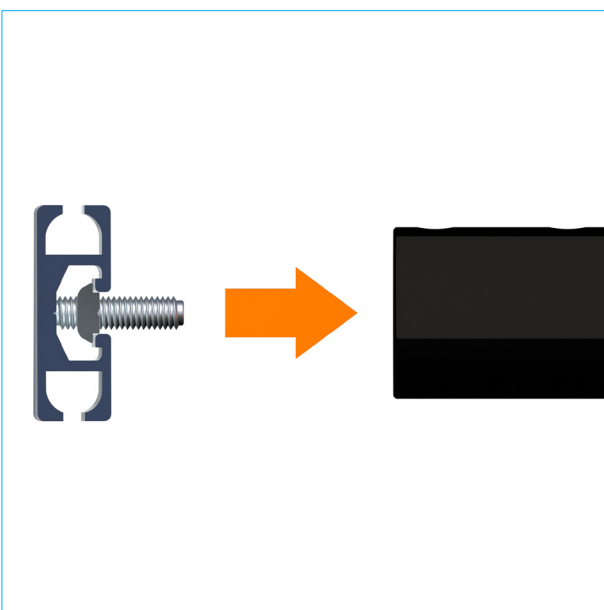


figure 1.13

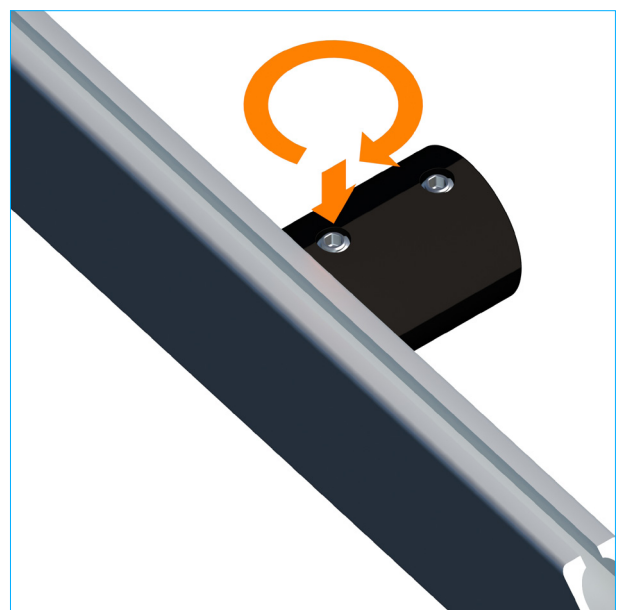
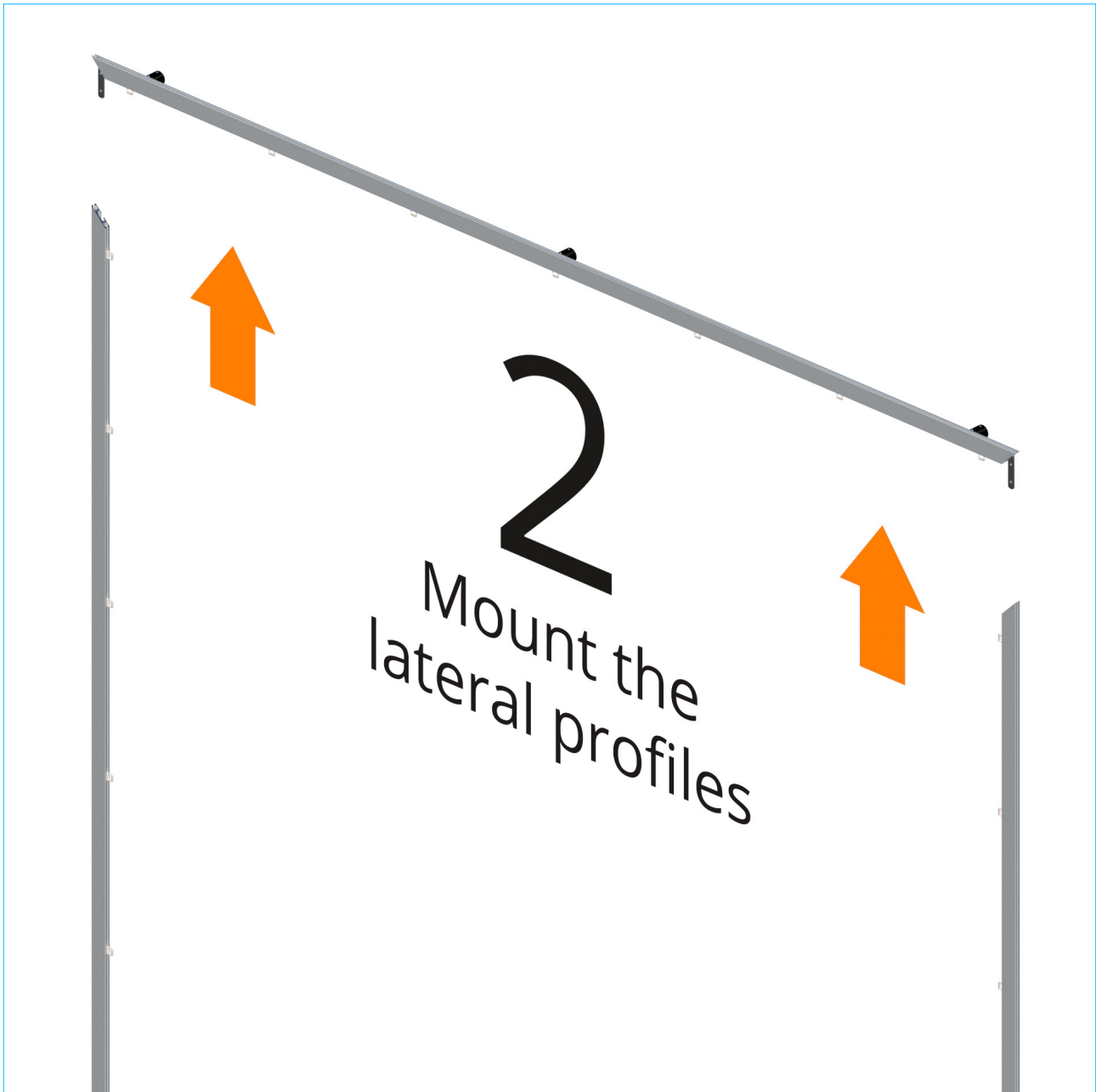


figure 1.14

MBT-SP52: Installation guide

</en/advertising-systems/mbt-sp52/>



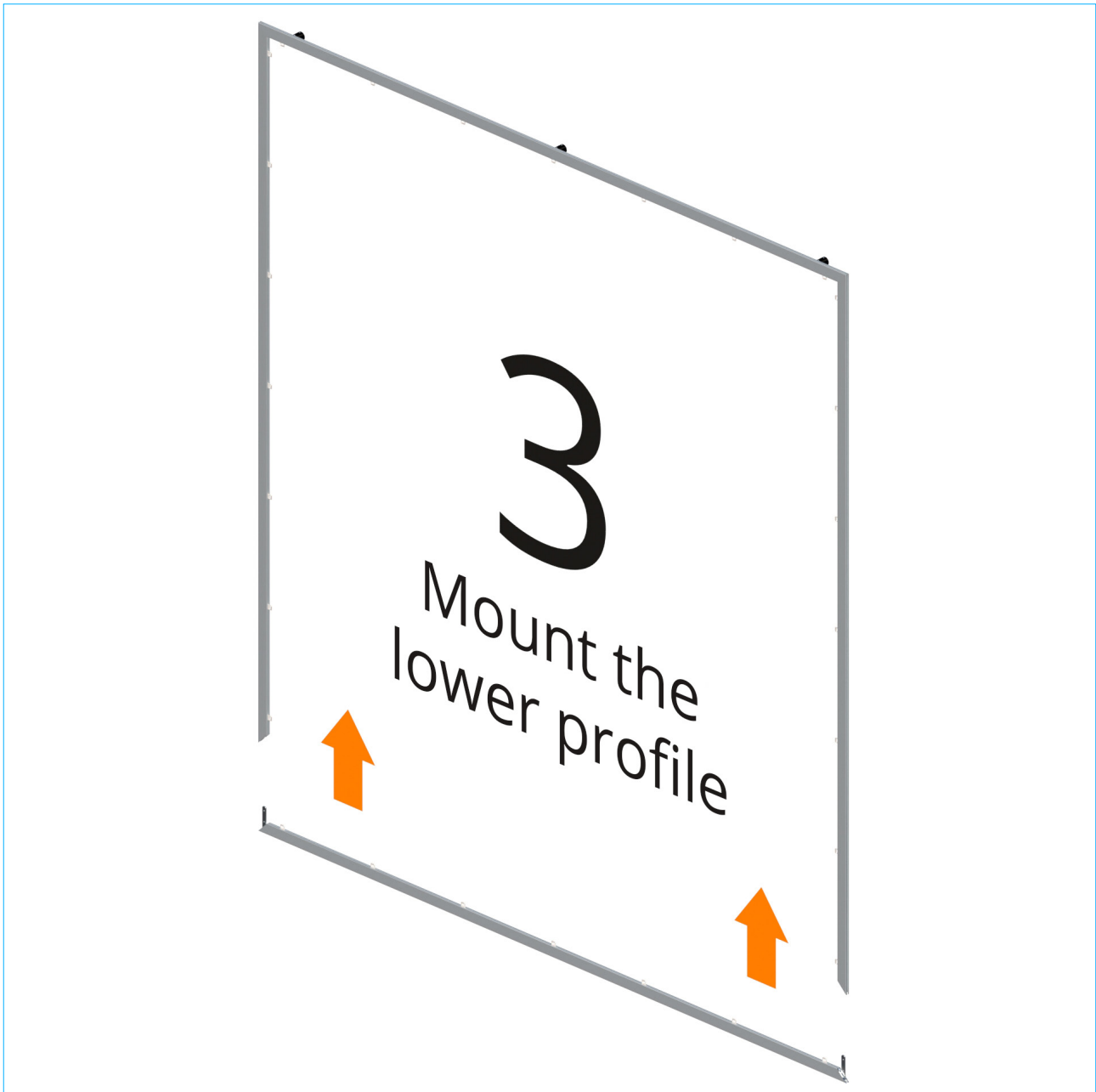
Mount the lateral profiles

2a. Slide the side rails onto the free legs of the mounting brackets and tighten the grub screws so that the profiles are firmly connected. (*fig. 1.10*)

2b. Provide each side profile with plastic glides (*fig. 1.11*) and t-slot nuts (*fig. 1.8 and 1.9*), according to the principles described above.

MBT-SP52: Installation guide

</en/advertising-systems/mbt-sp52/>



Mount the lower profile

3a. As before, provide the lower profile with t-slot nuts (*fig. 1.7 and 1.8*) and plastic gliders (*fig. 1.11*).

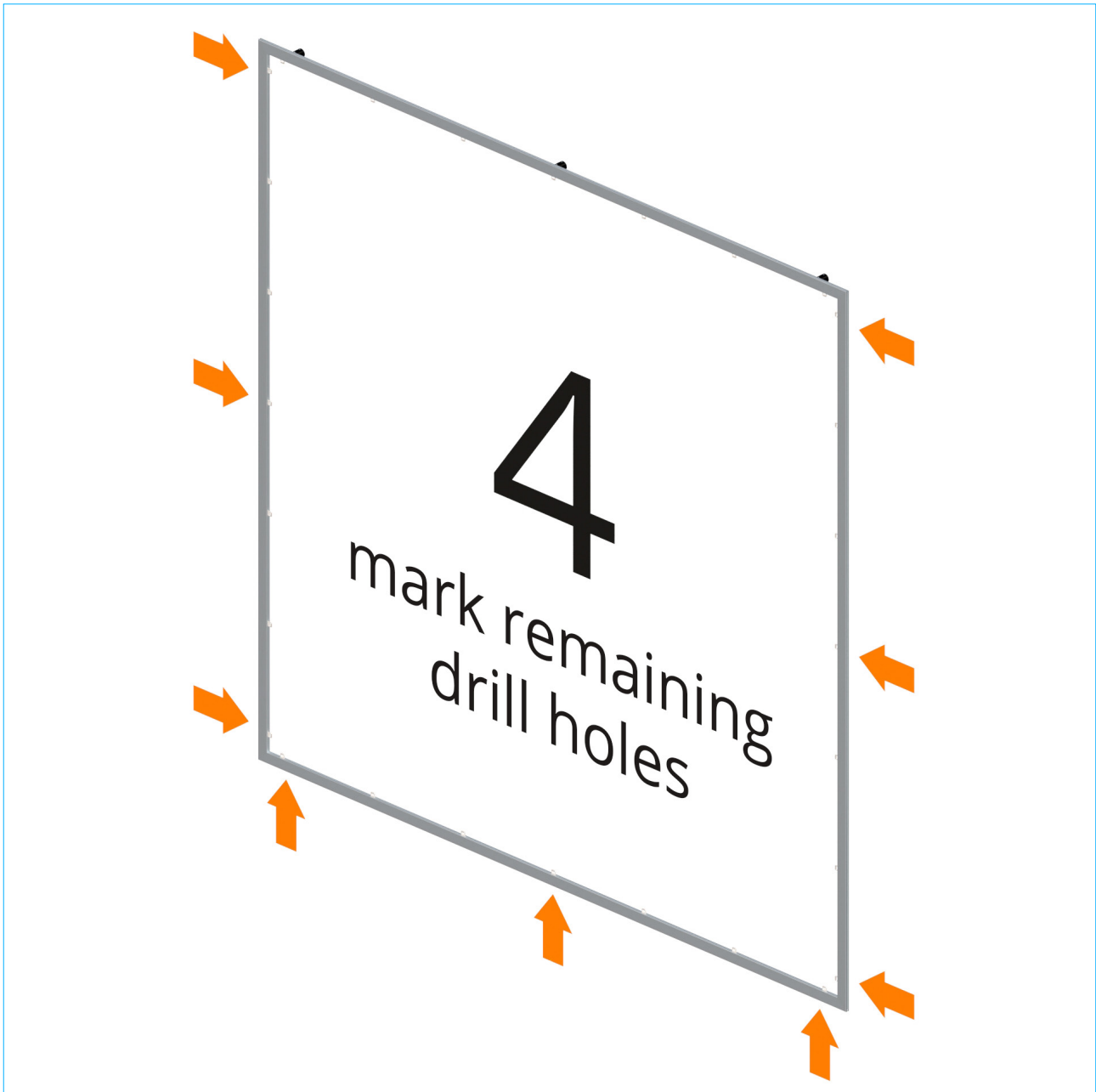
3b. Insert the mounting brackets and

tighten the set screws.

3b. Connect the bottom profile to the side profiles and tighten the grub screws. (*fig. 1.10*)

MBT-SP52: Installation guide

</en/advertising-systems/mbt-sp52/>



Mark the remaining drill holes

4a. Now mark drill holes all around for the remaining wall cylinders.

1.1), and 15 cm distance from cylinder to the outer edge of the profile. (*fig. 1.2*)

Take into account equal distances between the wall cylinders < 150 cm (*fig.*

MBT-SP52: Installation guide

</en/advertising-systems/mbt-sp52/>



Take off the fully mounted system

5a. Loosen the front screws of the already mounted wall cylinders and remove the frame as it is.

a blanket to avoid scratching the surface of the aluminum profiles.

Set the system safely aside and use e.g.

MBT-SP52: Installation guide

</en/advertising-systems/mbt-sp52/>



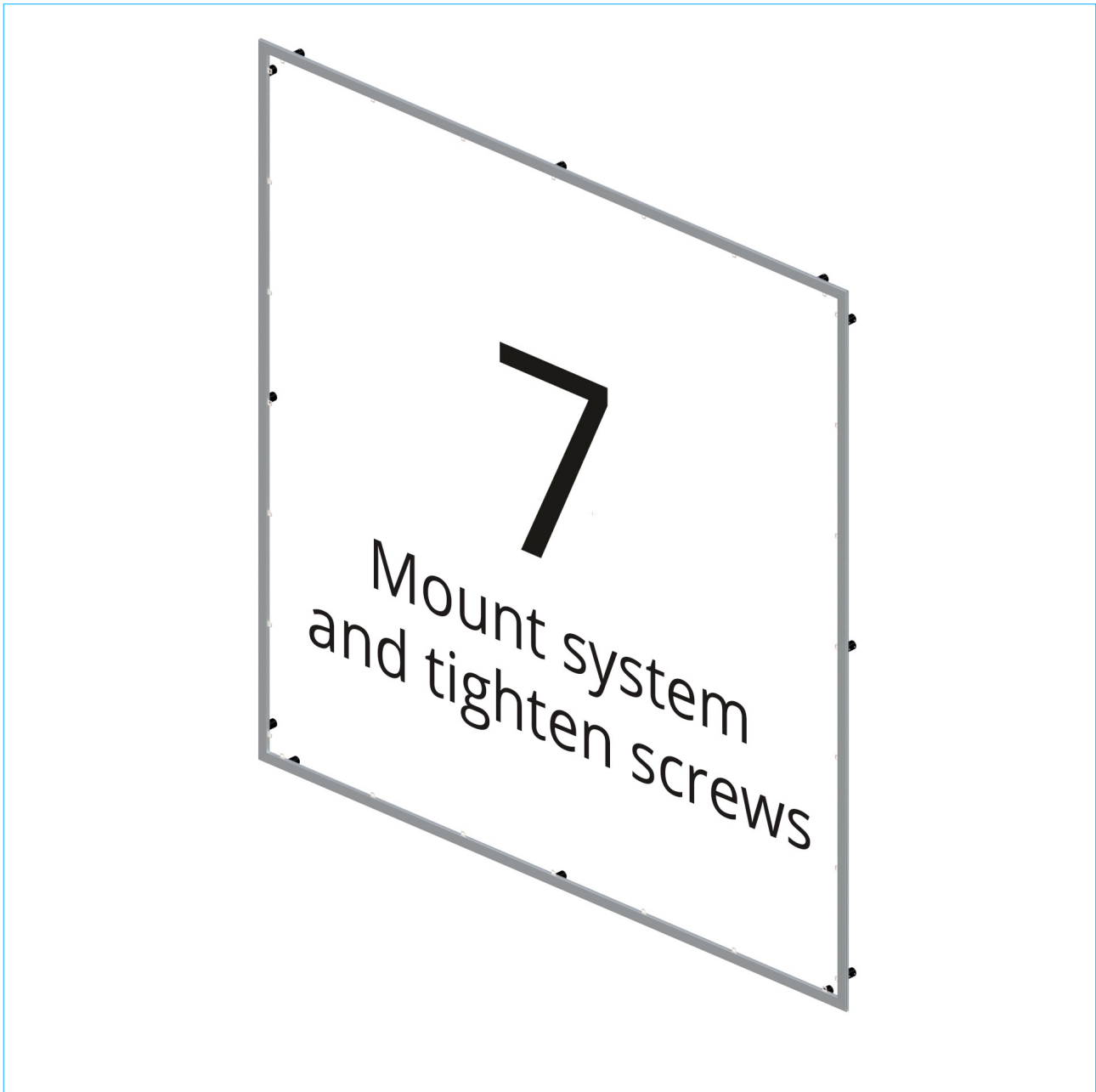
Drill holes and mount remaining cylinders

6a. Drill the marked holes, provide them with dowels and screw in the hanger bolts so that they protrude 2.5 cm from the wall. (*fig. 1.3 and 1.4*)

6b. Place the wall cylinders on the hanger bolts and tighten the screws of the cylinders facing the wall. (*fig. 1.5 and 1.6*)

MBT-SP52: Installation guide

</en/advertising-systems/mbt-sp52/>



Mount the system and tighten screws

7a. Place the frame on the wall cylinders so that all set screws are in the holes provided in the cylinders (*fig. 1.13*).

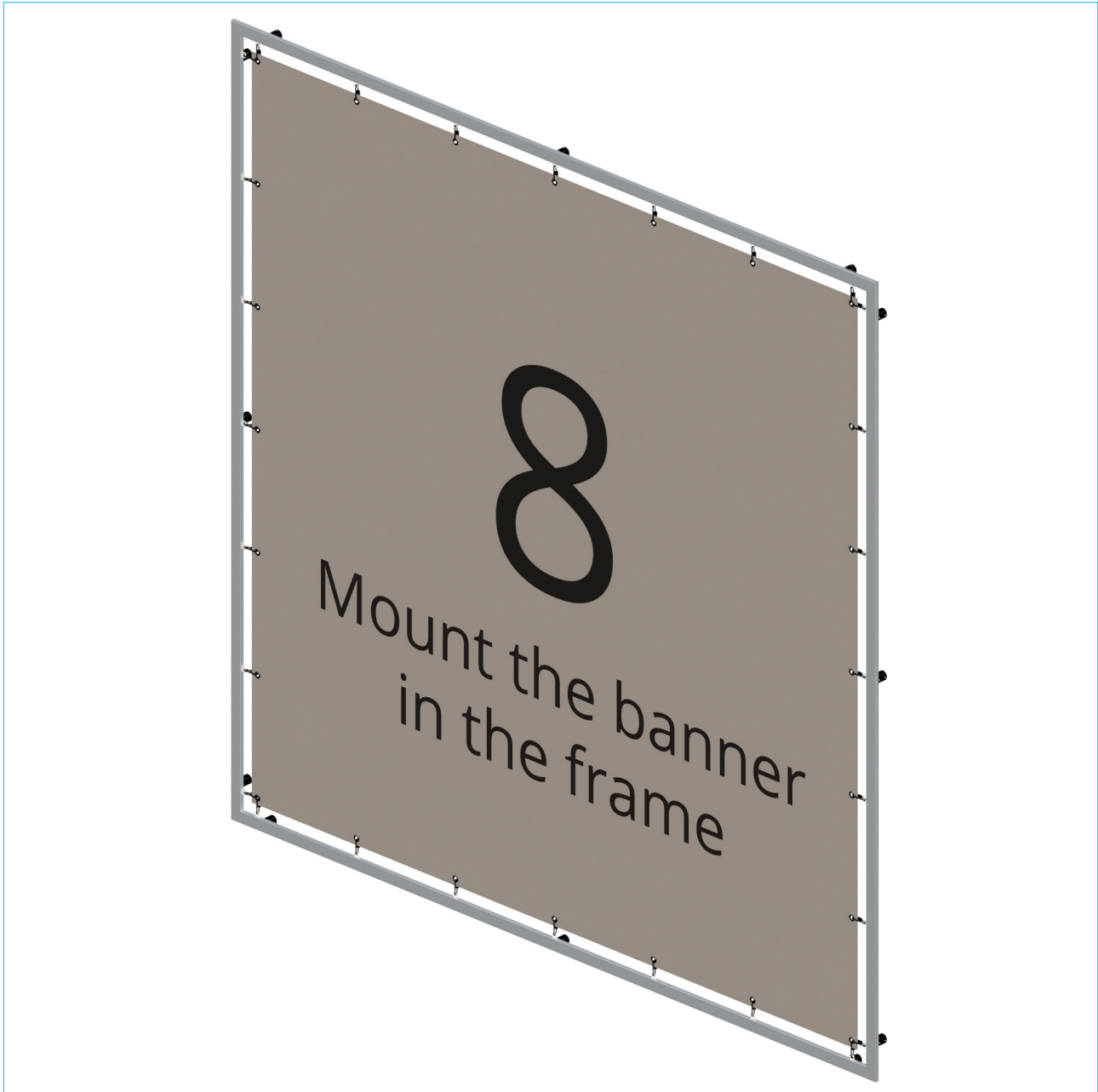
7b. Tighten the remaining screws of the

wall cylinders (*fig. 1.14*).

The assembly of the frame is complete at this time. Just the banner has to be mounted in the last step.

MBT-SP52: Installation guide

</en/advertising-systems/mbt-sp52/>



Mount the banner in the frame

8a. First fasten the upper side of the advertising banner with the enclosed tensioning rubbers.

Figures 7.1, 7.2 and 7.3 illustrate how the elastic bands should be seated. Work

from top to bottom until all grommets have been connected to the plastic sliders.

Congratulations!
The work is now complete.

MBT-SP52: Installation guide

</en/advertising-systems/mbt-sp52/>

Illustration

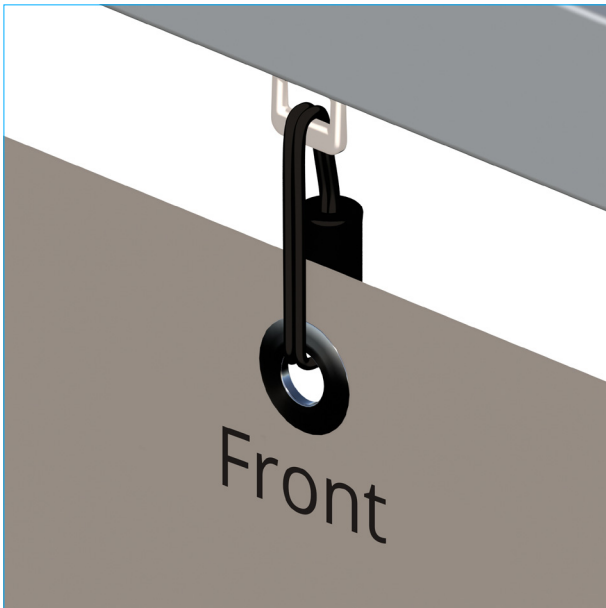


figure 7.1



figure 7.2

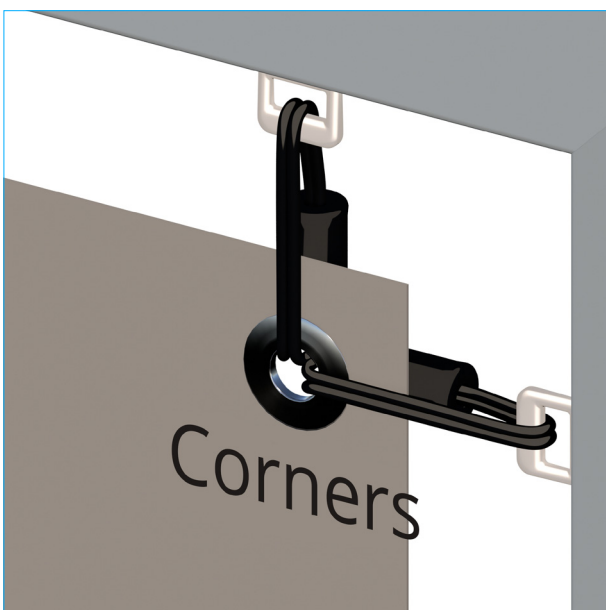


figure 7.3

 meiba.tech

Inh. Sven Meiselbach
Sielminger Straße 49/2
70771 Leinfelden-Echterdingen

Telefon +49 711 91282456
Telefax +49 711 91282460
E-Mail info@meiba.tech